

### Descriptions:

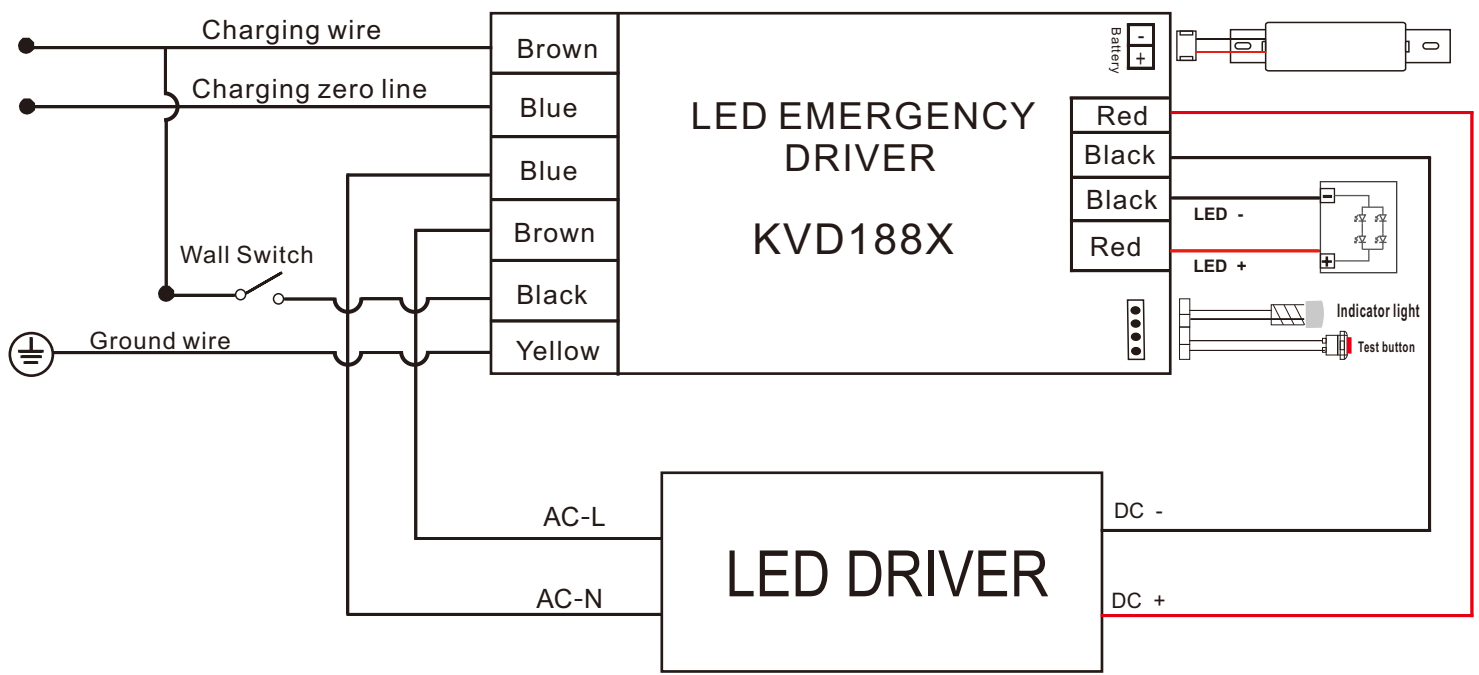
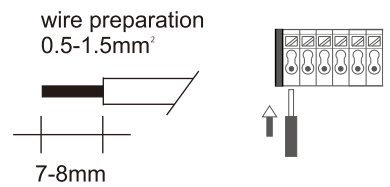
- self-detect
- constant power emergency output
- Suits for LED fitting with external LED driver
- External battery, Li-ion
- With multi-protection function;
  - battery overcharge protection;
  - battery over-discharge protection;
  - output overload protection;
  - short-circuit protection.
- Accessory test switch and LED indicator
- In the state of the power off, to connect with the battery, static current at the battery terminal is 0uA



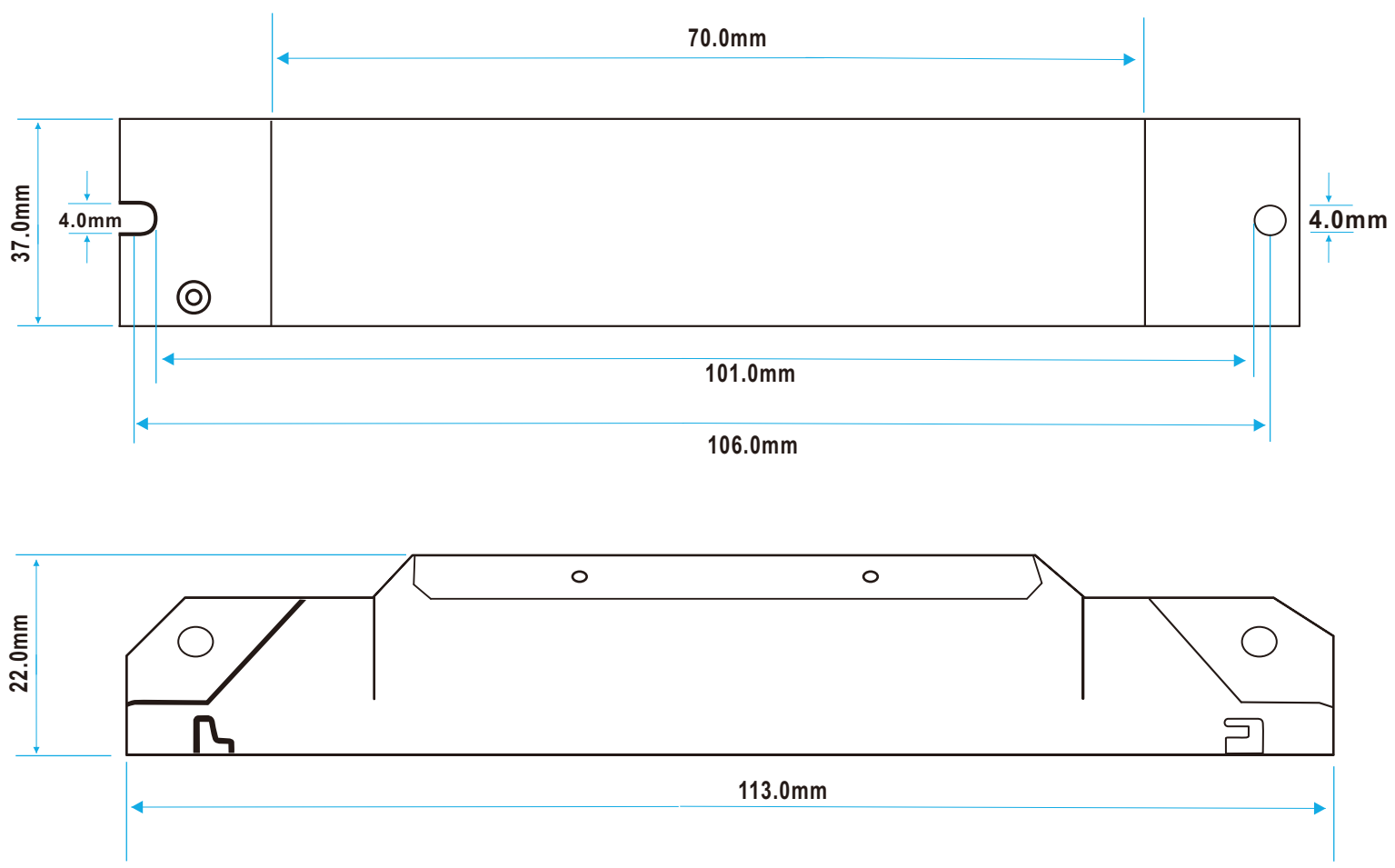
### Technical Data

Input voltage	100-277 Vac 50/60Hz
Input current	0.003A Max.@230Vac
Input wattage	< 5.0W
Power factor	≥0.5 @230 Vac
Battery charging current	350mA Max.
Battery charging time	≤24h Max.
Emergency output Voltage	DC25-185VMax.200VDC
Emergency power	3W
Emergency time	3H
Battery	Li-ion/18650/3000mAh-3.7V
Storage Temperature	-20-40 °C
Electric Strength	3000Vac 5mA (input to output)
IP Rating	IP 20
Maximum shell temperature	75°C
Warranty	3 Years
Relevant standard	IEC 61347-2-7/IEC 61347-1/EN55015

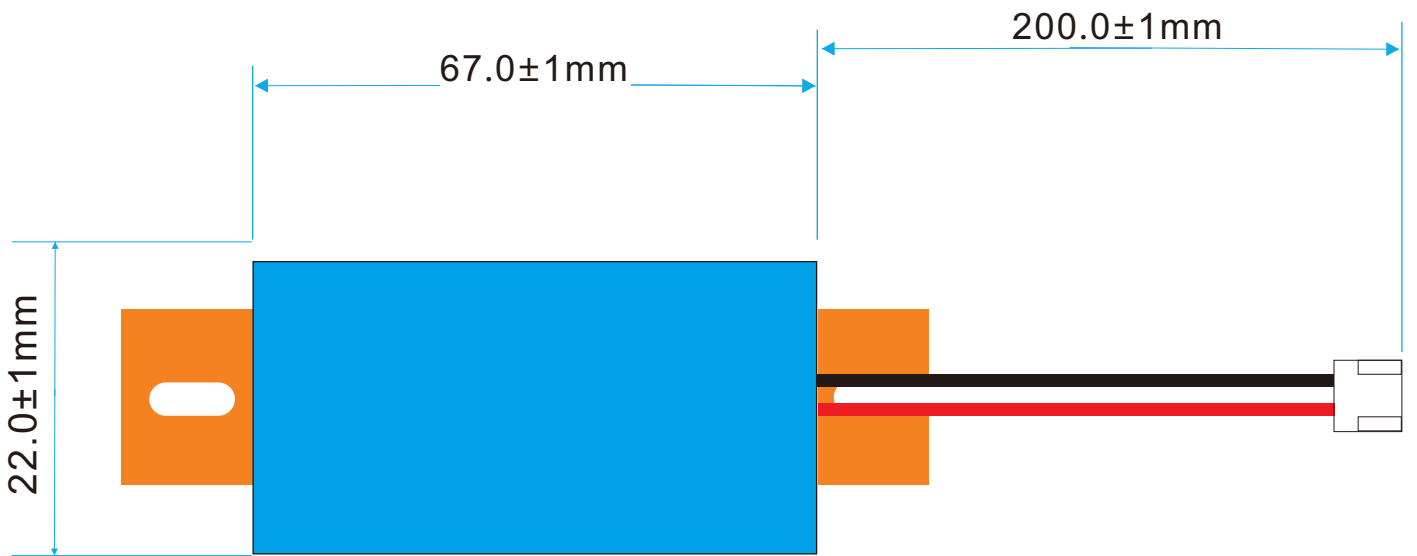
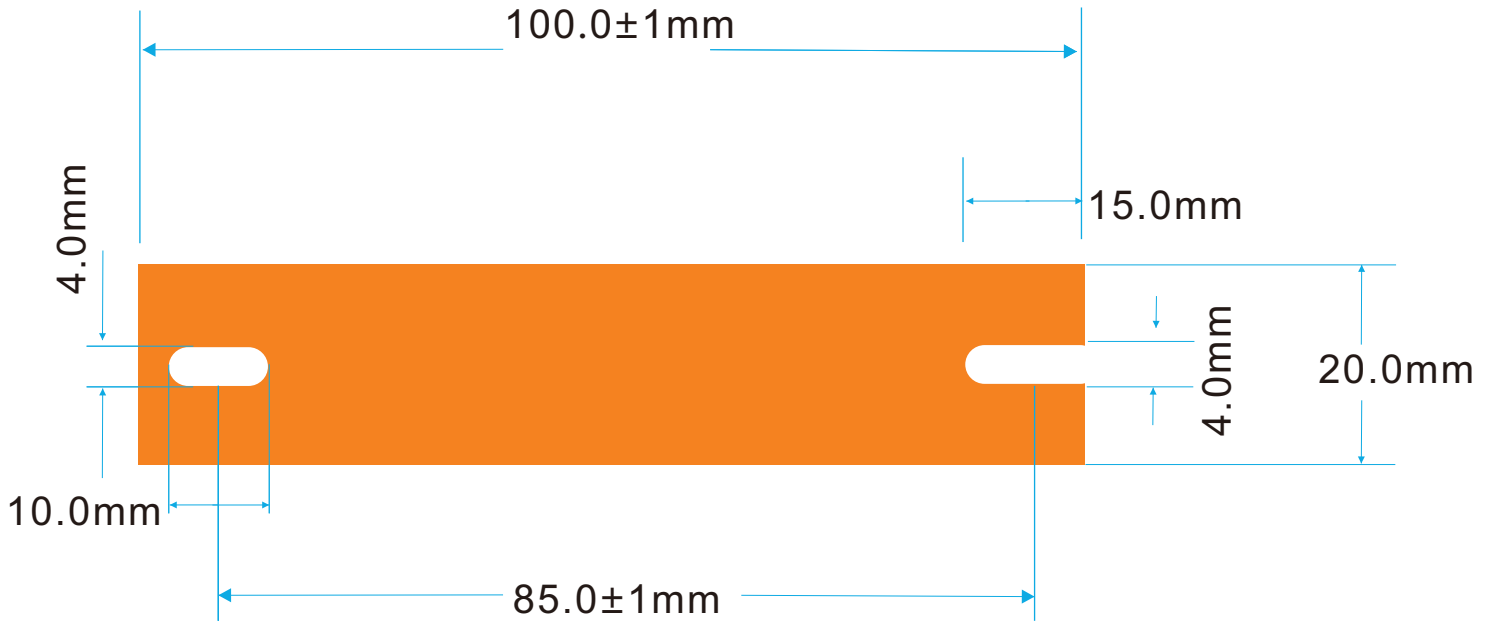
# Wiring Diagram:



# measurement:







**measurement:**



## LED and test button status:

### LED INDICATOR

-  Green breathing pattern:charging mode
-  Green stable: battery fully charged
-  Red flashing: failure as below
  - Red flashing Once per second: Battery is not connected
  - Battery is defective
  - Red flashing four times a second :Load failure during emergency mode, open circuit/short circuit
-  Green flashing: Emergency status one per second

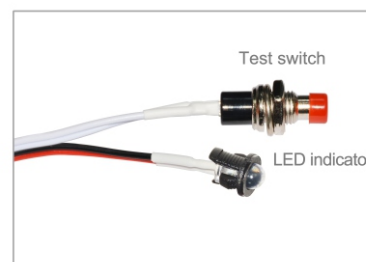
### TEST BUTTON

- 1:  $0S < \text{Key} \leq 2S$ , Enter a simulated state of emergency, the green indicator blinks once every second, keep emergency status for  $10 \pm 1$  seconds and back to normal status
- 2: In simulated emergency situations,  
Short press once to exit and return to the normal charging state
- 3:  $0S < \text{Key} \leq 1S$ , In the emergency state, the emergency state is turned off.

### QUARTERLY SELF-TEST

when emergency driver is on power, every  $180 \text{ days} \pm 1 \text{ day}$  automatically enter the emergency state, emergency duration until the battery is discharged, then return to power-on status.

- LED indicator
- Mounting hole 6.5mm dia
  
- Test switch
- Mounting hole 7mm dia



## Installation and Notifications:

- 1: If it is used for the first time or it does not enter the normal working state after being over-discharged, it is necessary to connect the main power to activate the emergency power supply and charge it for 24 hours. Please use the original emergency battery provided
- 2: When installing and using it, please keep it away from heat sources and only use it within a certain working temperature range.
- 3: Should be stored in a cool, dry environment.
- 4: After prolonged storage, recharge at least once every 6 months as needed.
- 5: Emergency driver testing must be longer than 1min, don't press the testing button frequently.